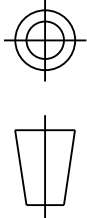
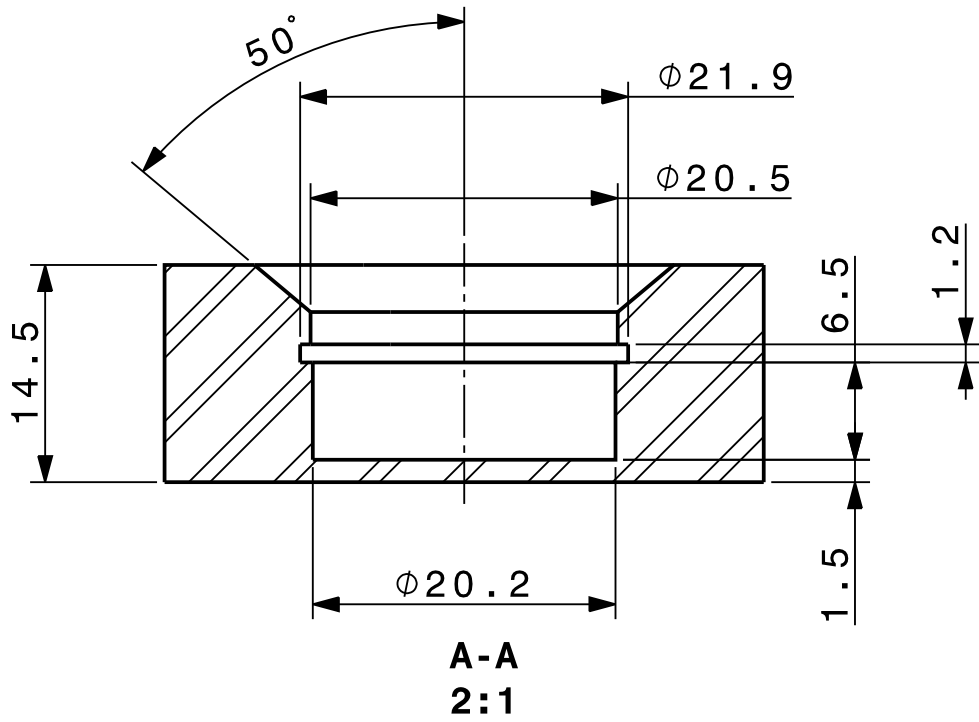


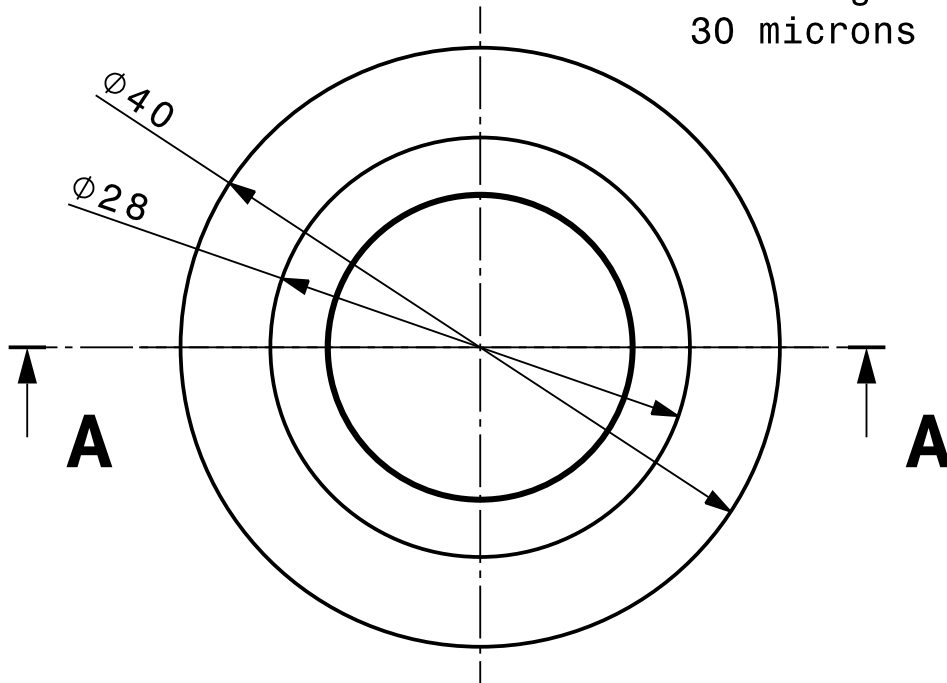
DESSIN, RUGOSITE, TOLERANCES
SELON NORMES ISO
DRAWING, RUGOSITY, TOLERANCES
ACCORDING TO ISO STANDARDS



PROJECTION



* Eloxage dur / noire
30 microns



ORGANISATION EUROPEENNE POUR
LA RECHERCHE NUCLEAIRE
EUROPEAN ORGANIZATION FOR NUCLEAR RESEARCH
GENEVE

Ce dessin ne peut être utilisé à des fins commerciales sans autorisation écrite
This drawing may not be used for commercial purposes without written authorisation

1		1	Alu EN AW-6082 (T6)		
QUA	DESCRIPTION	POS	MAT.	OBSERVATIONS	REF. CERN
ENS/ASS			S. ENS/S. ASS		
ISO 2768-mH				ISO 13715	
sphere holder with magnet socket				DRAWN	M. Anastasopoulos 2013-08-16
				SCALE	2:1
				CONTROLLED	
				RELEASED	
				APPROVED	
				CAD Document Number ST0538002_02	
				REPLACES	
NON VALABLE POUR EXECUTION NOT VALID FOR EXECUTION			QAC	-	SIZE IND. 4

