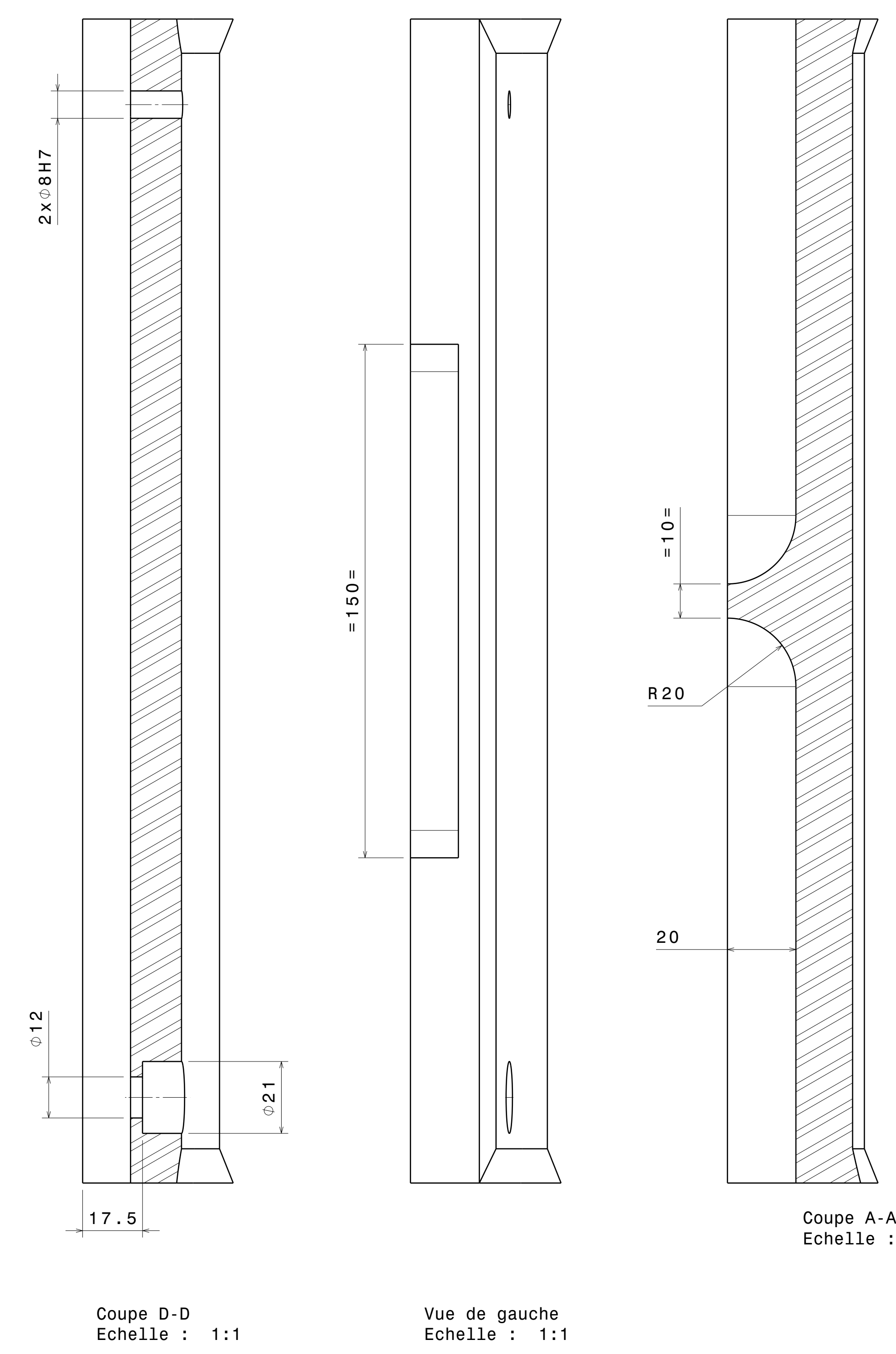
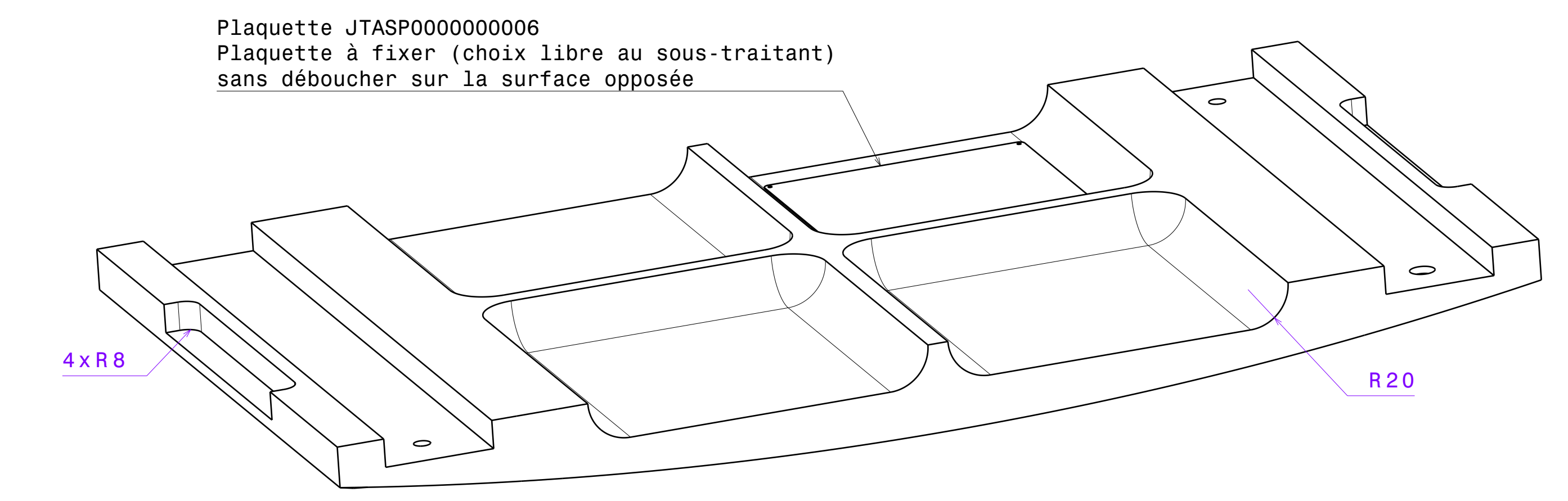
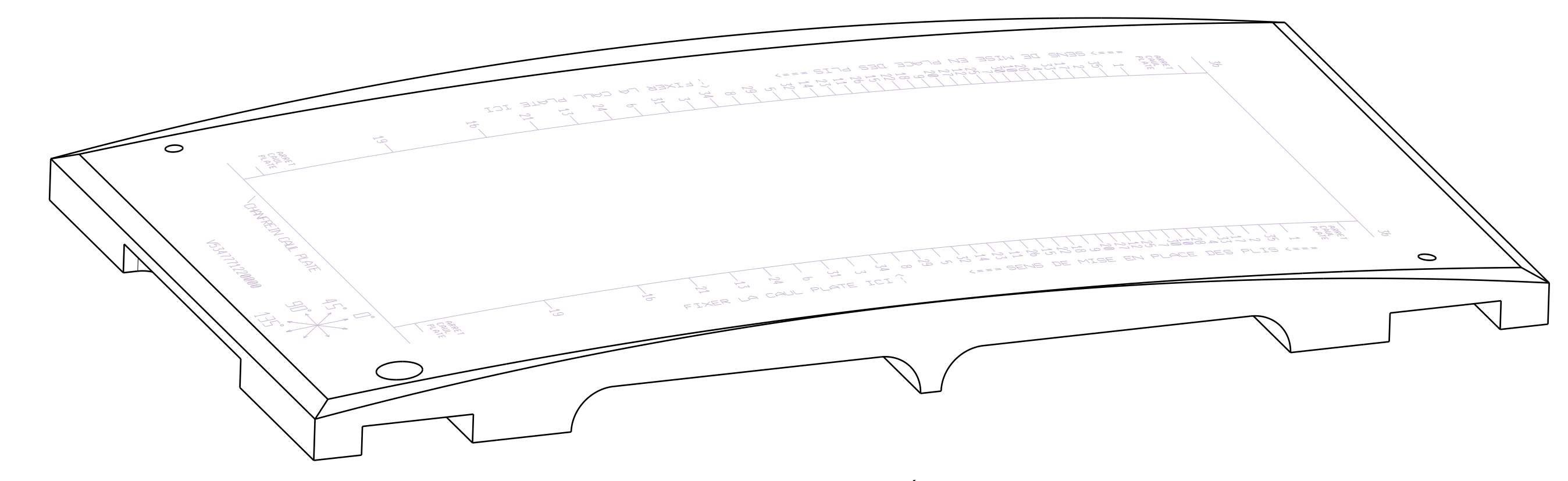
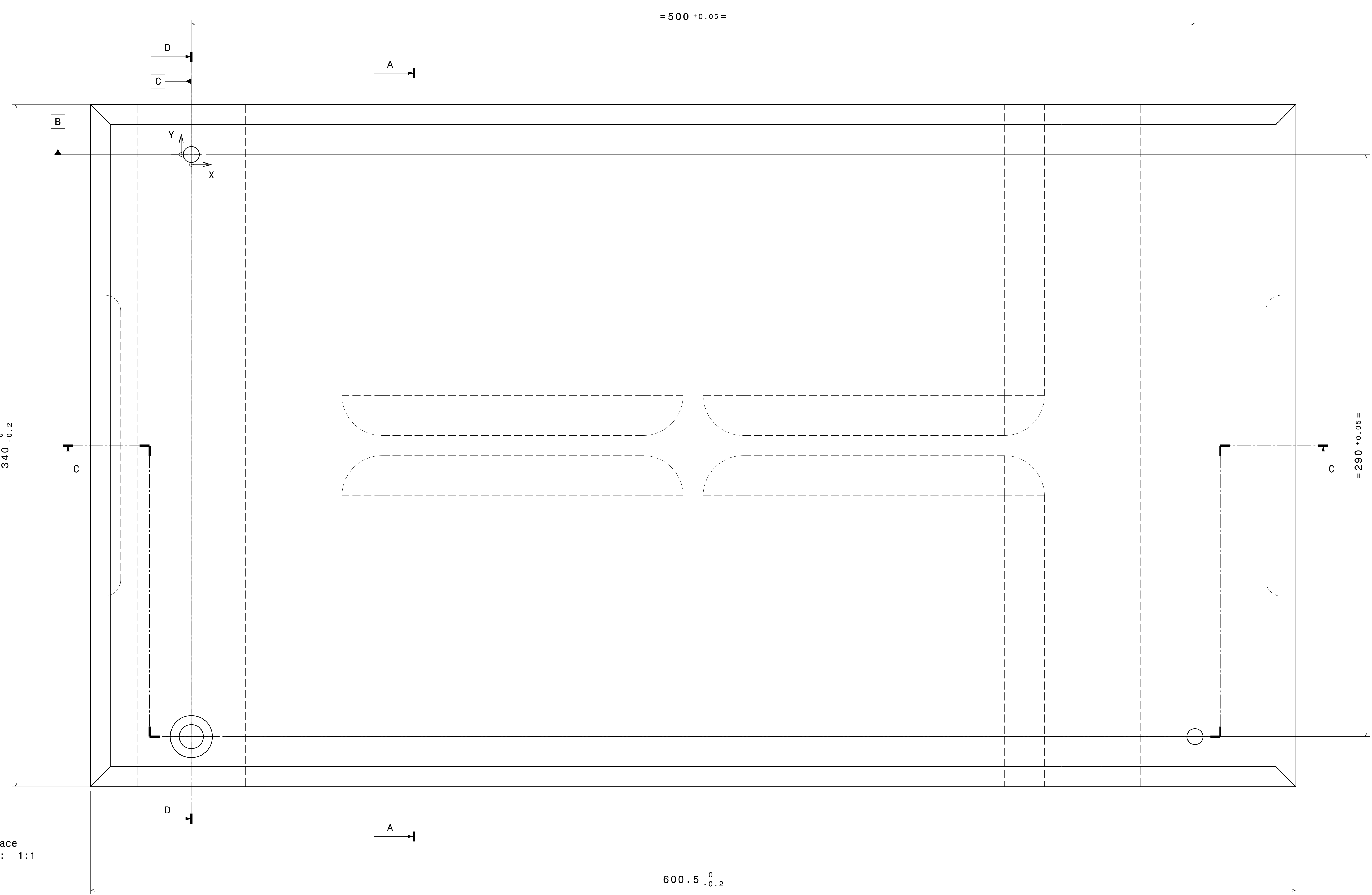
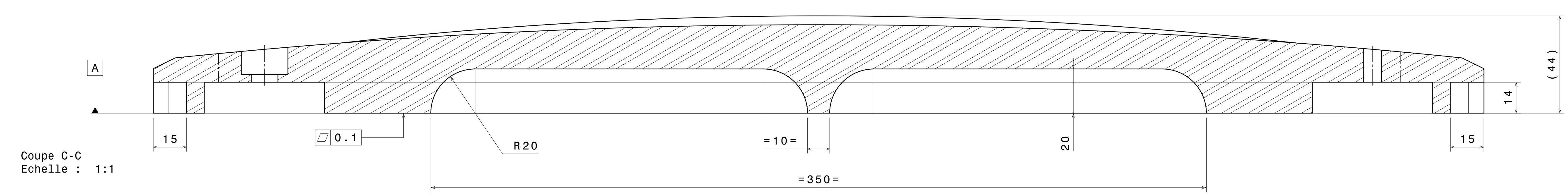
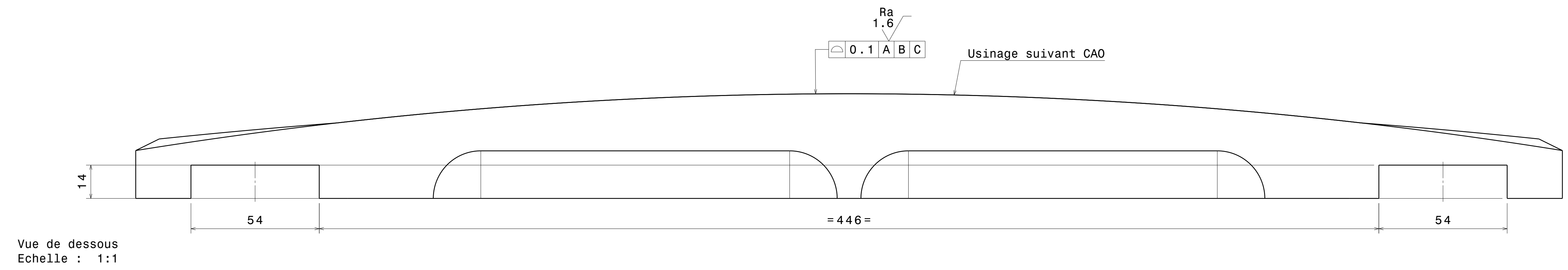


IND	DATE	NOM	NATURE DE LA MODIFICATION
AA	06/06/16	P.LR	CREATION
AB	20/09/16	N.GD	AJOUT DE NERVURES EN PARTIE INFERIEUR

(AB)



AIRBUS TOULOUSE PROGRAM A350				
PERIODICAL INSPECTION/RE-CERTIFICATION				
TOOL No:	T000852961			
EQUIPMENT No:	ZXX			
INSPECTION TYPE	REVISION DATE	STAMP	ISSUE	NEXT INSPECTION

N° PRECISÉ A LA COMMANDE

Nota :
- Casser les arêtes vives
- Gravures suivant CAO prof. 0.5mm

DESIGNER/REVISOR/APP: P.LR	DUQUEINE	21 La Croix Rouge 42000 MONTAIGU - FRANCE TEL: 02 47 86 02 11 - FAX: 02 47 86 04 98 HTTP://WWW.AIRBUS.FR
DATE: 06/06/2016	ISO 2768-1-m-K	STATE OF SURFACE FINISH: 3.2
SCALE: 1:1	WEIGHT: 9.013 kg	MATERIAL: ALU 5083
CONTRACT NUMBER: A0	POINCON WEDGE V534771220000	PROCESS: ADD
DATE: 11/25/16	112582	REVISION: 1/1

CATIA V5